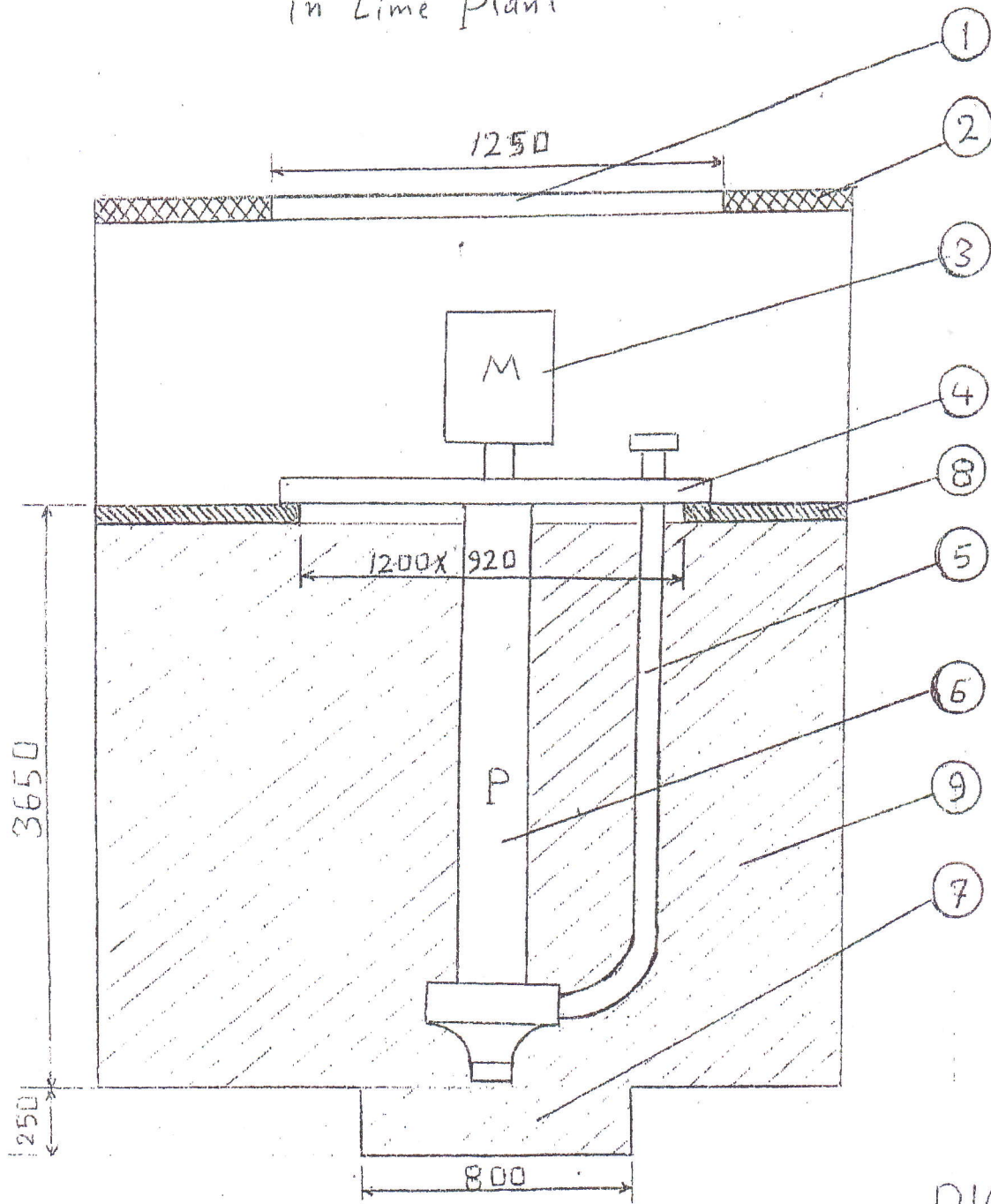


PLANT DESIGN FOR LIME PLANT

in Lime plant

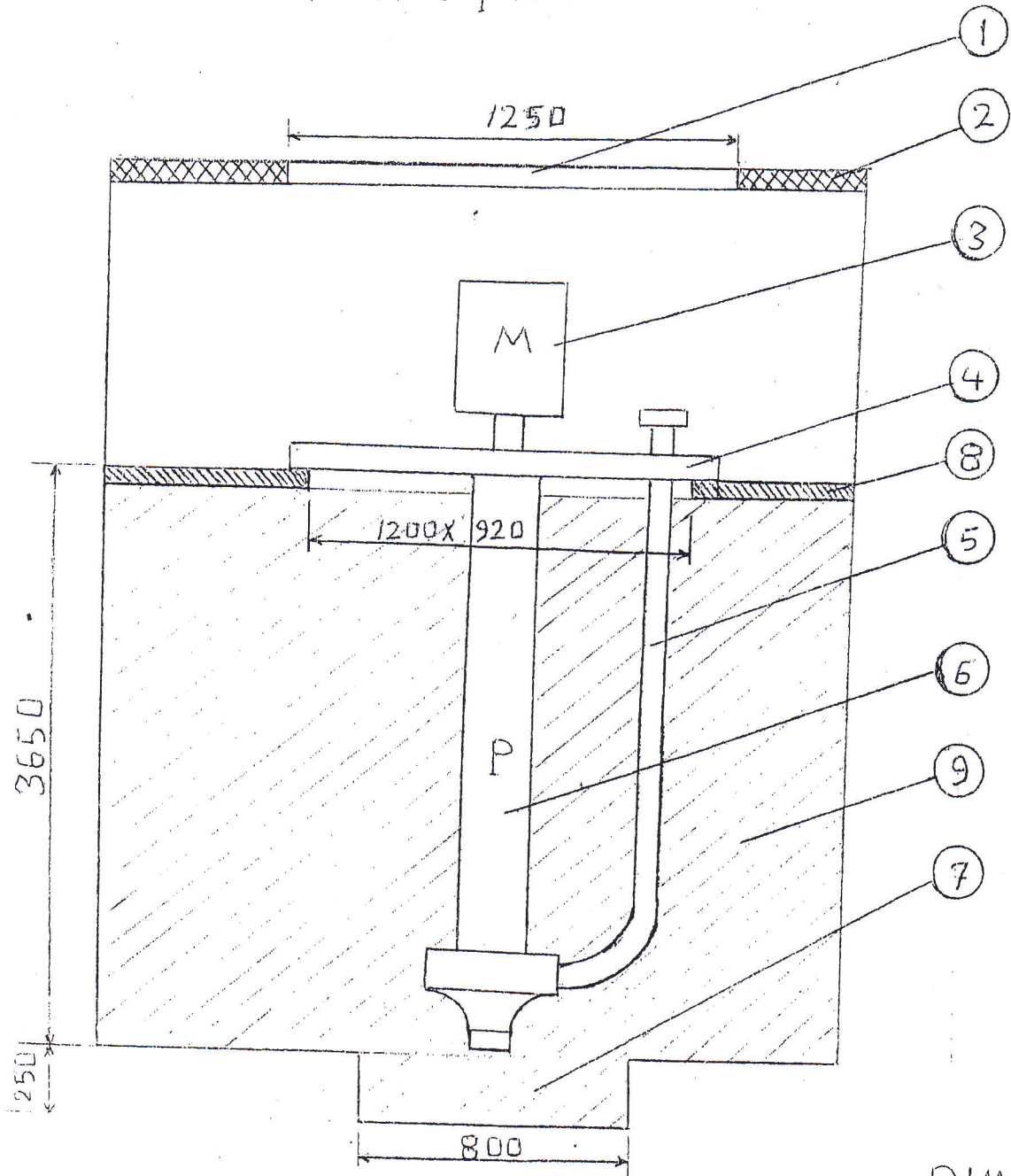


DIM: mm

|                  |          |                     |               |                   |      |                        |         |       |
|------------------|----------|---------------------|---------------|-------------------|------|------------------------|---------|-------|
| 1                | 2        | 3                   | 4             | 5                 | 6    | 7                      | 8       | 9     |
| holl<br>1250X950 | concrete | Electrical<br>motor | Base<br>plate | Discharge<br>Line | Pump | gap<br>800X550<br>X250 | support | fluid |

*[Handwritten signatures and scribbles at the bottom of the page]*

Pump item 68.115 for pumps hall  
in Lime plant



DIM: mm

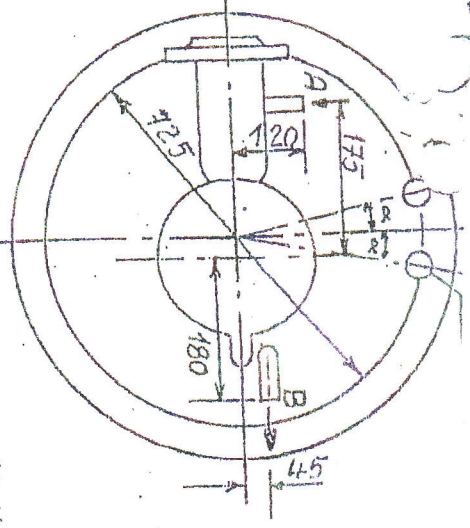
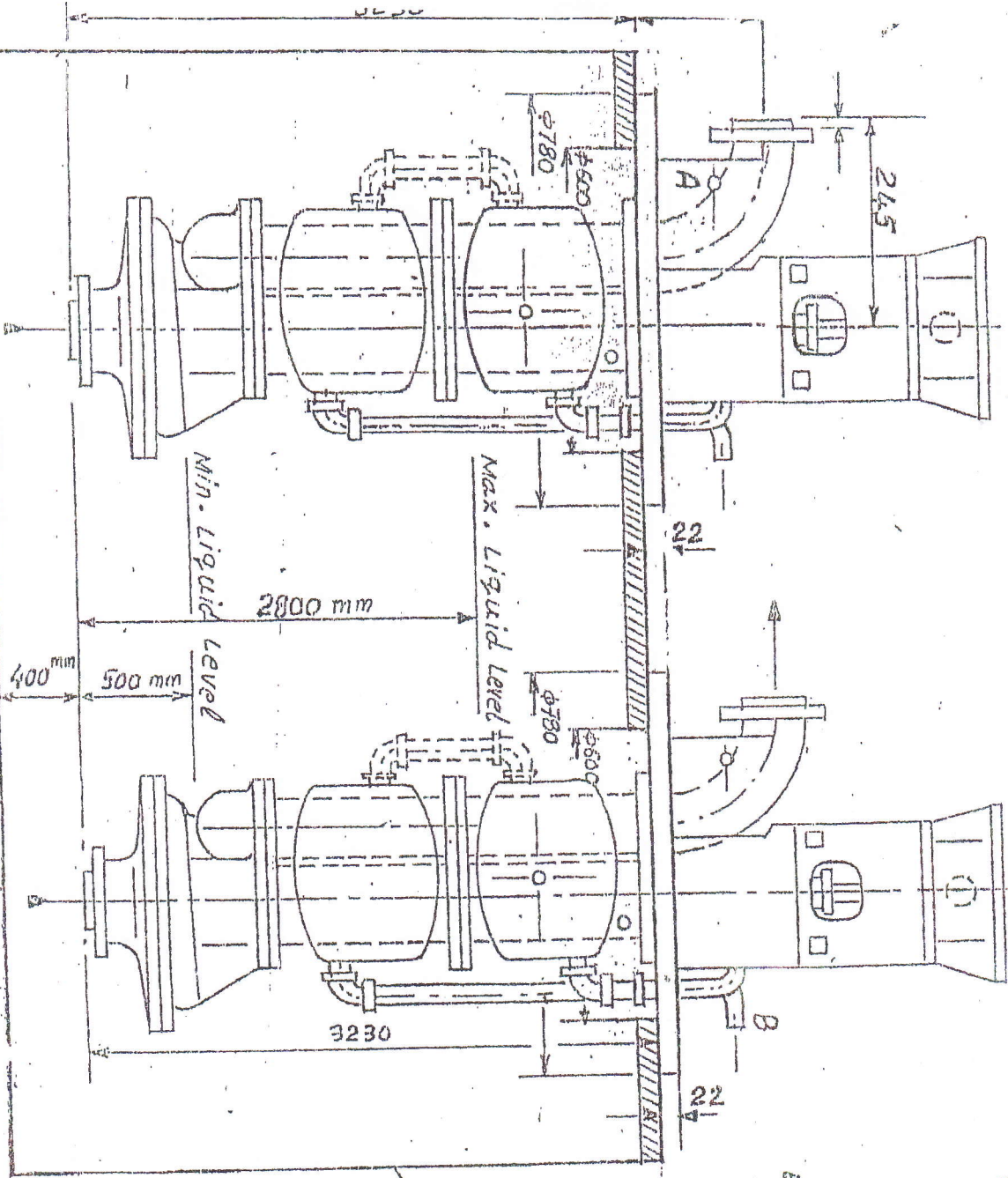
| 1                | 2        | 3                   | 4             | 5                 | 6    | 7                      | 8       | 9     |
|------------------|----------|---------------------|---------------|-------------------|------|------------------------|---------|-------|
| hall<br>1250x950 | concrete | Electrical<br>motor | Base<br>plate | Discharge<br>Line | Pump | gap<br>800x550<br>x250 | support | fluid |

*Handwritten signatures and scribbles at the bottom of the page.*



SULFUR PUMP 10.11

SULFUR TRANSFER PUMP



BASE PLATE FOR PUMP 10.11 AND TRANSFER PUMP

SULFUR PUMPS TANK

SULFUR PUMPS

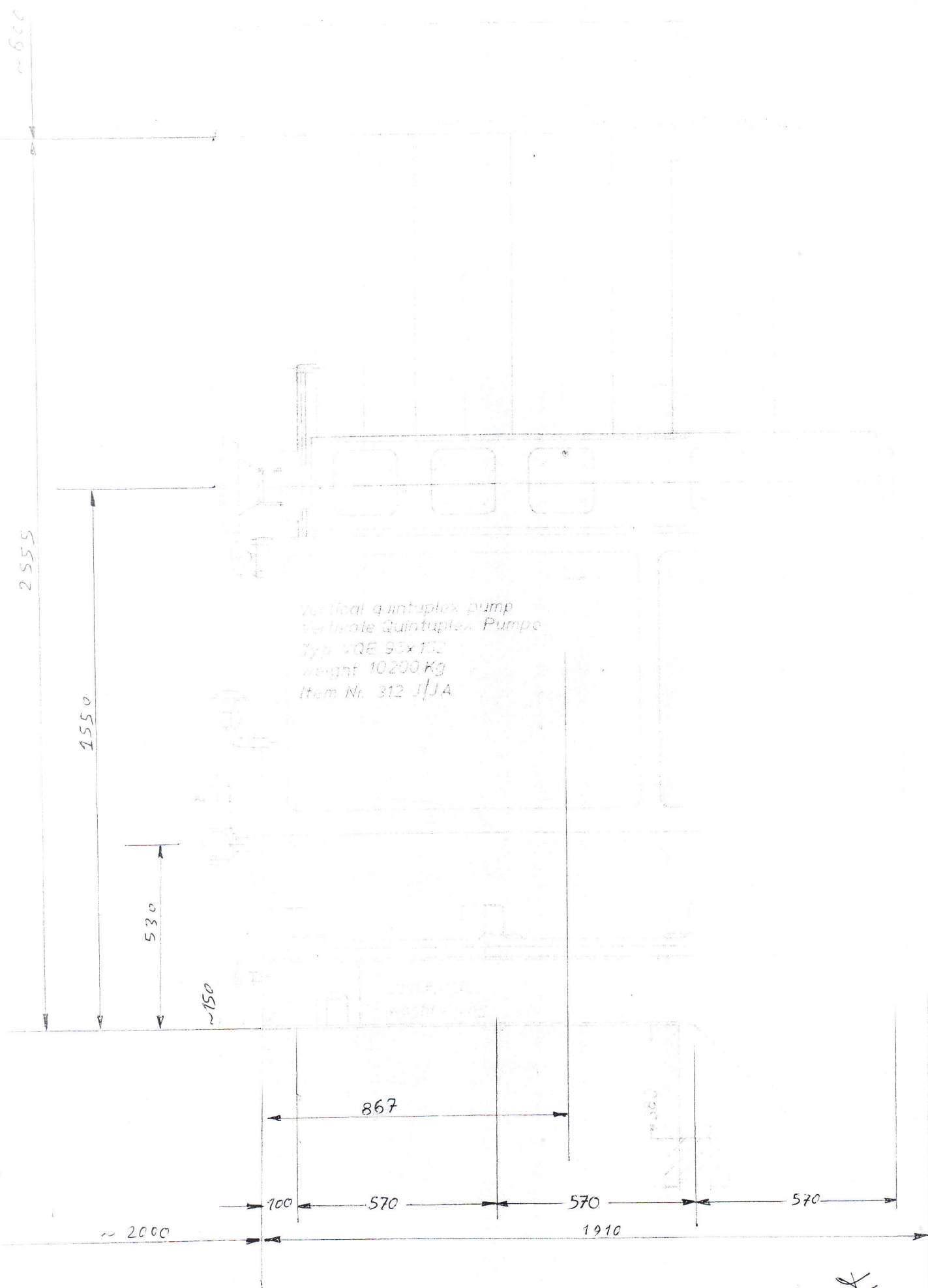
ITEM 10.11

22/10/2002

M.H.

*[Handwritten signatures and scribbles]*





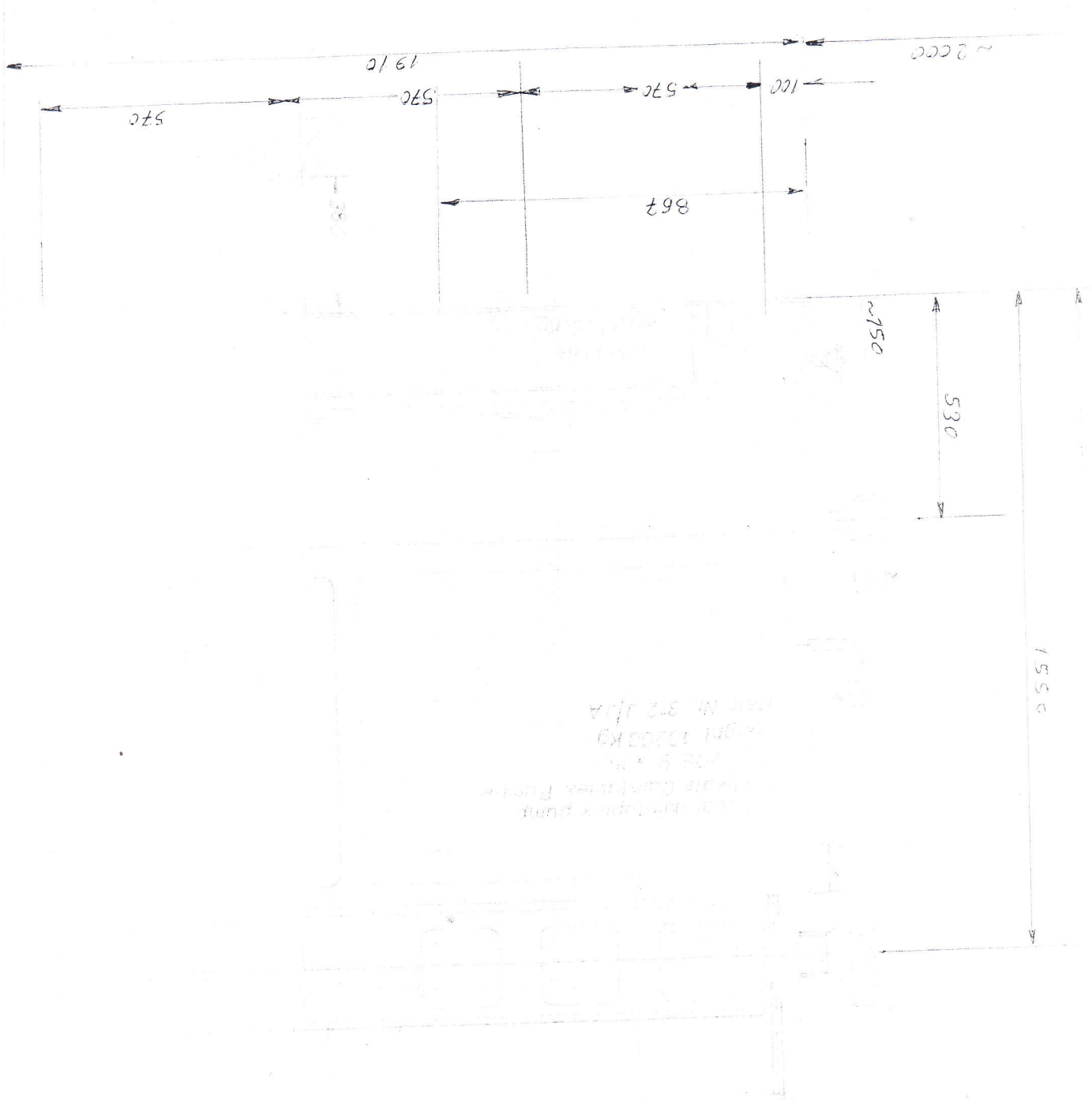
4/9







Handwritten scribbles and a north arrow symbol.



Mirrored text from the reverse side of the paper, including:  
Wahl Nr. 312 d/17  
Höhe 1000 kg  
1975 5 x 10  
1/4 die Gabeln für  
1/4 die Gabeln für